

PLEASE READ CAREFULLY SAFETY INSTRUCTIONS!

Preparing to use your Bioethanol Fireplace:

- Restrict the use of the Bioethanol Fireplace to persons who read, understand and follow the warnings and instructions in the supplied manual.
- Only Bioethanol fuel is suitable as fuel for a bioethanol fireplace. It is extremely dangerous to use Bioethanol car fuel, other liquid or gel fuels (gasoline, diesel, petrol, lighter fluids, solvents, thinners, etc.) or solid fuels (paper, cardboard, wood, charcoal, lighting cubes, etc.) or a mix of fuels.
 - Ensure that the steel burner box and all parts of the biofire housing is EMPTY, cold, clean and dry before filling with the Bioethanol fuel.
 - Bioethanol fireplaces and steel burner boxes should always be placed on a stable, flat, horizontal surface and away from any combustible materials.
 - Never position the fire in a location where there is a risk of wind blowing the fire into flammable items or materials.
 - When fitting your fire, we suggest at least 60 cm clearance around the body of the fire, and ensure all flammable materials are out of reach of the fireplace.
 - Do not use the bioethanol fireplace and its steel burner box near flammable items such as curtains, fabrics, furniture, aerosol sprays or other flammable items.
 - Ensure all flammable items at least 2 metres from the fire and ensure there is a fire extinguisher nearby.
 - Fill the steel burner box with the Bioethanol fuel only to the max line indicated on the burner box. Never overfill the steel burner box beyond the 'Max' level.
 - Always light the fire by using an extended taper or refillable safety lighters and light at arms length , ensuring there is no risk of clothes or hair catching alight.
 - The Biofuel you buy from us comes in squeezable bottles, which reduces the chance of potential spillages. If you are trying to fill the burner box from a bottle without a squeeze nozzle, then we recommend you use a simple funnel to allow you to more accurately pour the biofuel and thus reduce spillages. If however, there is a spillage of fuel, then always ensure you mop it up (using a clean sponge or paper towel etc) before lighting the biofire.
 - The fire is meant for use as a secondary heat source and is not suitable for cooking food or boiling water.

- Do not use the fire in caravans, boats, vehicles or in unventilated rooms.
- Do not use as a multi-burner or open fire or use any other liquid or solid combustible materials or other fuel types other than Bioethanol Fuel.
- Do not operate if under the influence of alcohol, drugs or prescribed medication.
- Do not place paper, cardboard, fabric, clothing or any other flammable materials on, or around, the burner.
- Do not leave any bottles of bioethanol or lighters on or near the fireplace shelf.
- Do not use near flammable gas.

Once your Bio ethanol fireplace is lit:

- Never leave the fire unattended. Always extinguish the fire fully before going to sleep.
- When the Bioethanol fuel is lit, the resulting combustion gives off only water vapours, steam and carbon dioxide. The levels of carbon dioxide given off are well within permitted levels but the room should ideally be ventilated with fresh air being supplied (**e.g. partly open window**). **Under no circumstances should any existing air vents be blocked when using the biofire.**
- Avoid air drafts to prevent flare-ups.
- Always stay at least 1 meter from the bioethanol fireplace once the flame is lit.
- **Keep children and pets at a safe distance; be careful with flammable clothes or hair.**
- Do not blow into the fire. This could cause flames to rise out of the fire.
- Do not smoke while re-filling or lighting the burner, or in the immediate vicinity of the fire, and avoid physical contact with Bioethanol fuel. Should the fuel come into contact with skin, please rinse thoroughly immediately.
- The stainless steel burner box supplied is fire proof, but must be replaced if there are any signs of cracks or corrosion.

Extinguishing your Bio ethanol fireplace:

- Its preferable to always leave the biofuel to burn out naturally, but if you need to extinguish the fire before it has finished, always use the metal closing rod supplied to pull / push (depending on the model of Bioethanol fire you have) the sliding mechanism

over the flame.

- If the flame does not go out when you slide the closing section over the flame, slowly pull back the closing section and repeat the action by moving the closing piece back over the flame in a faster movement. If you need to do this, once the fire is extinguished, contact us for a replacement burner box or closing section.

- Wait a few seconds to ensure the flame is fully out.

- Even when you are sure the flame is fully extinguished, do not touch any part of the fire until it has cooled down (usually about 30 minutes or so).

- Do not pour additional biofuel on top of any remaining biofuel until you are certain that the remaining biofuel and the burner box has completely cooled.

Using Bioethanol fuel:

- Always follow the instructions shown on the packaging of Bioethanol fuel and store out of reach of children and animals.

- Do not store Bioethanol fuel near the appliance. Store it only in a cool, dry place and ensure the container is always tightly sealed.

- Do not cover the fire, or place any flammable materials or clothing on appliance.

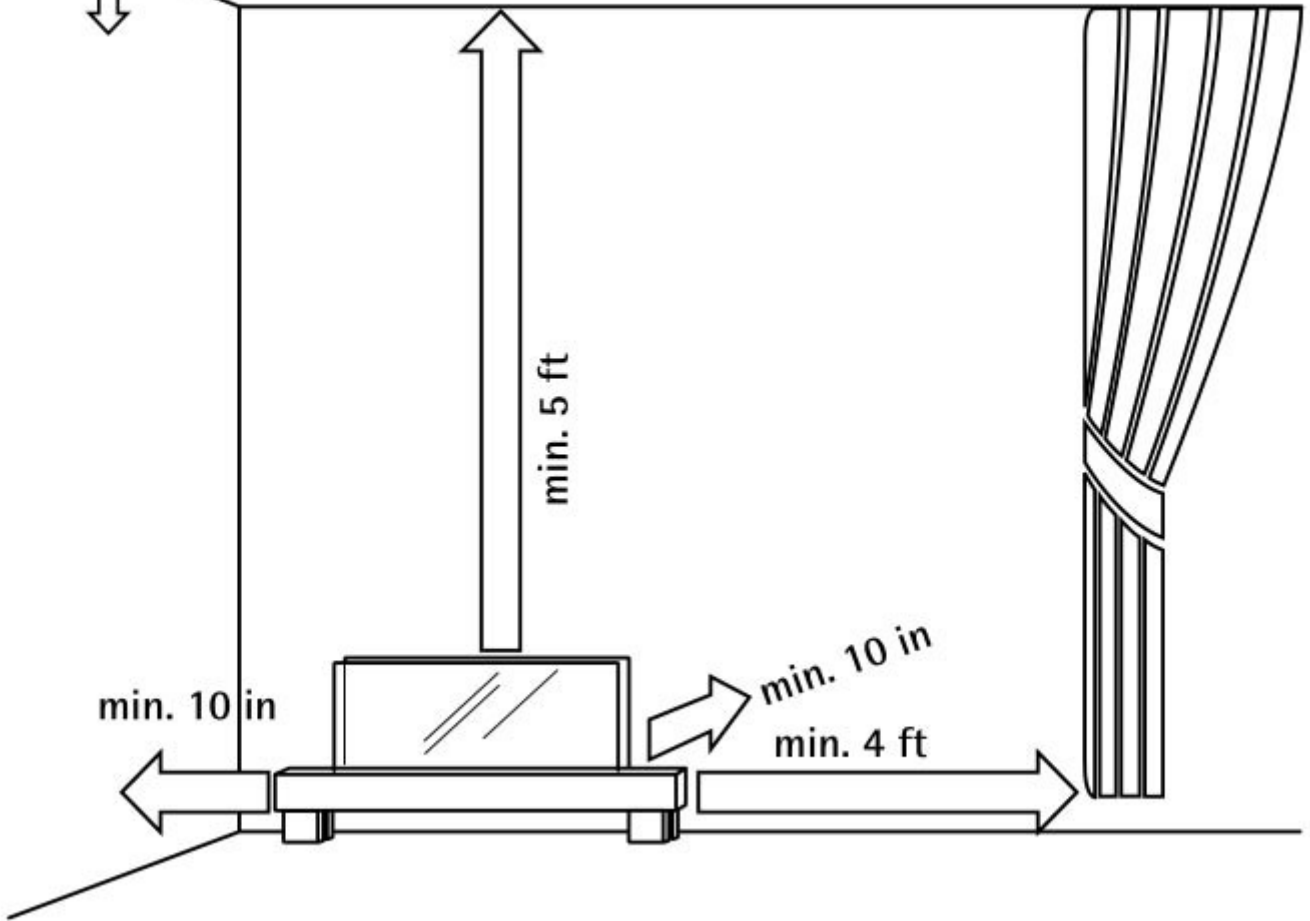
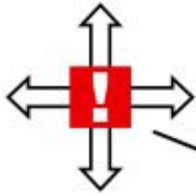
- Do not put any ornaments on this unit at anytime.

- Do not leave any bottles of bioethanol or lighters on or near the fireplace shelf.

- Do not apply any treatment on burned skin and, should breathing problems occur, please consult a doctor immediately.

- Bioethanol burns best when it is at room temperature. In temperatures below 10 degrees Celsius the liquid will not ignite easily and it will take more time for an attractive flame to develop.

- In case of injury or swallowing Bioethanol liquid, immediately call a doctor or hospital for treatment and show them the label or packaging of the bottle.





! max. 1.5 liters

